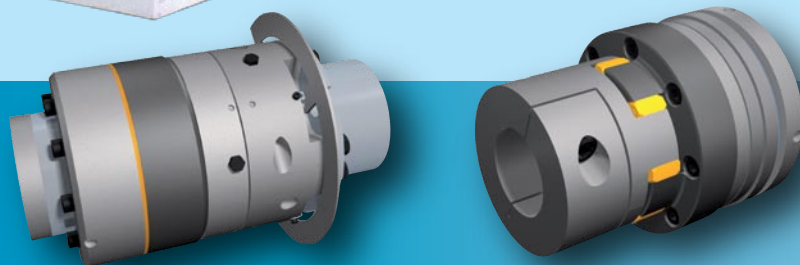
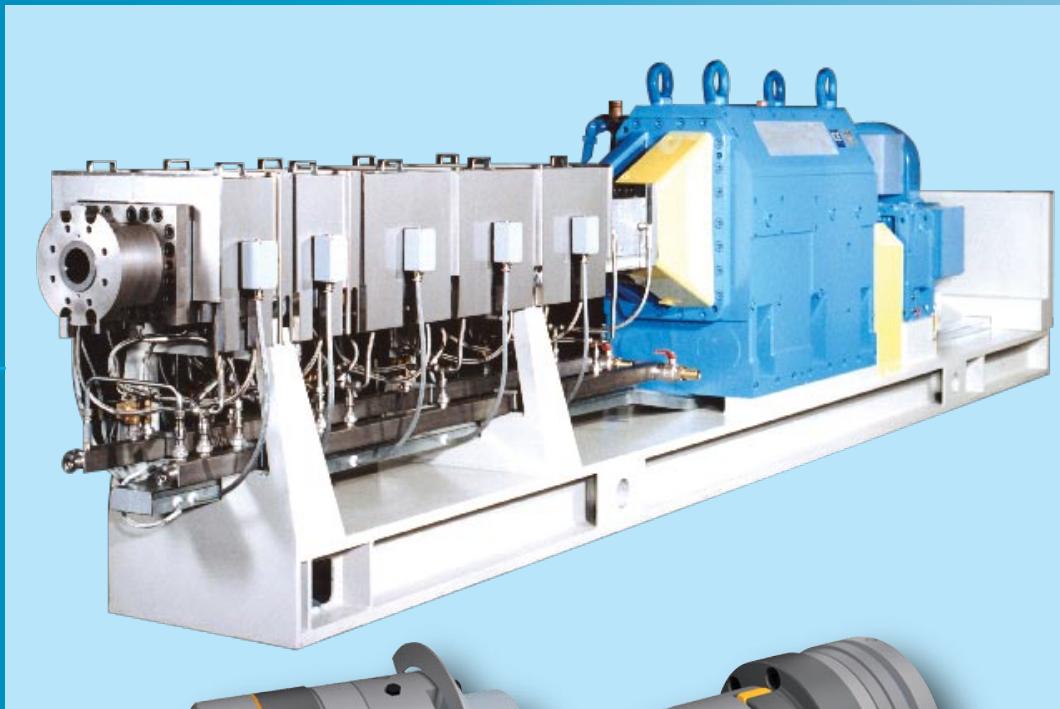


Extruder Clutches

Perfect protection for extruders
and double screw mixers



www.mayr.de

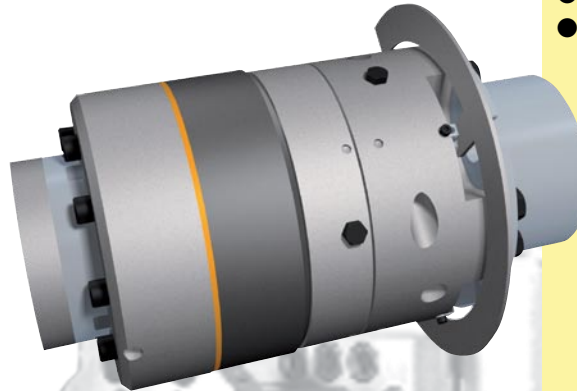
IMG.400.V02.GB

mayr[®]
your reliable partner

EAS®-dutytorque

The extruder torque limiting clutch

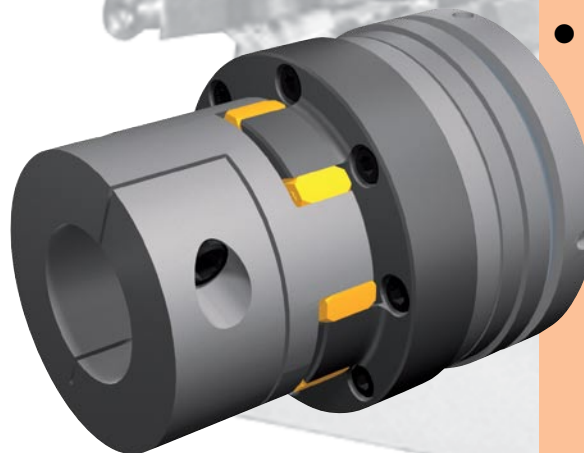
Today, mechanical torque limiting clutches are an indispensable component of extruders in order to achieve high productivity and to prevent downtimes due to overload damages. Blockage of the screws due to foreign bodies, alterations in viscosity and other malfunctions can cause increases in torque which cause substantial damage to extruders. The operating conditions for extruders place maximum demands on mechanical torque limiting clutches. Standard torque limiting clutches quickly lose their switch-off accuracy under dynamic loads close to the set torque. For this reason, mayr® power transmission as market leaders have developed torque limiting clutch products which are especially designed for extruder requirements. The EAS®-dutytorque and the EAS®-Compact® unite those advantages most important in extruder applications.



- Can be de-installed radially
- Modular concept
- Complete mechanical separation of input and output on overload
 - Ensures high braking torques
 - Large shaft diameters
 - Simple re-engagement
 - High switching accuracy

EAS®-Compact®

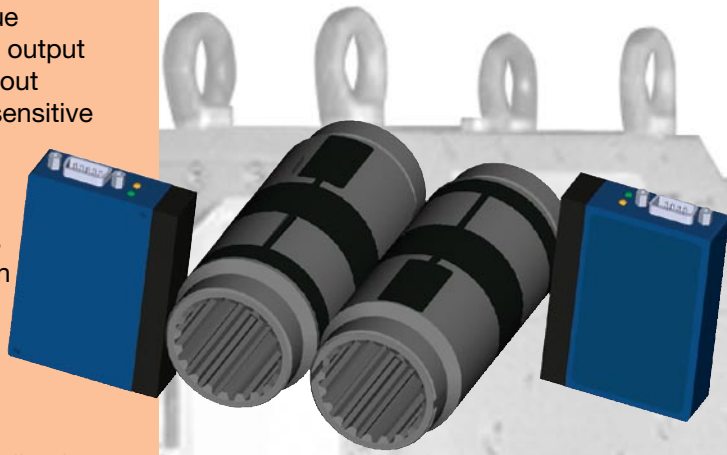
The extruder torque limiting clutch for small torques



- Instant separation on overload
- Slows down freely
- Exact and reproducible responses
- Re-engagement either by hand or via remote control
 - Torques can be adjusted simply and continuously using the adjustment tables
 - Operation possible with or without limit switch for overload recognition

Continuous torque measurement in the screws **EAS®-control**

- Continuous torque measurement for output optimisation without overloading the sensitive components
- Measurement directly at the individual screws
- Little construction space necessary
- Measurement accuracy $\pm 1\%$ of final value
- Attractive costs
- Operating data collection for optimum planning of service and maintenance



The performance capability of an extruder is one of the most important decision criteria when purchasing a new machine. In order to achieve the maximum throughput without mechanically overloading the components, operating data must be recorded. The constantly changing process parameters can cause extremely different loads in the individual components of double screw extruders. Only by continually measuring the torque on the individual screws can the throughput be maximised without risking component overload. The EAS®-control has been especially conceived for such applications and is characterised by the advantages listed here.

EAS® with EAS®-control-DS

- Combination for limiting and monitoring the torque between the motor and the gearbox
- Continuous, contactless torque measurement for process optimisation
- Reliable mechanical overload protection due to high switch-off accuracy of the EAS® in case torques are exceeded
- Extremely compact and robust design
- Compensation of shaft misalignments
- Operating data collection for optimum planning of service and maintenance





Headquarters

Chr. Mayr GmbH + Co. KG
Eichenstrasse 1, D-87665 Mauerstetten
Tel.: 0 83 41/8 04-0, Fax: 0 83 41/80 44 21
www.mayr.de, E-Mail: info@mayr.de



mayr®

Service Germany

Baden-Württemberg

Esslinger Straße 7
 70771 Leinfelden-Echterdingen
 Tel.: 07 11/45 96 01 0
 Fax: 07 11/45 96 01 10

Bavaria

Eichenstrasse 1
 87665 Mauerstetten
 Tel.: 0 83 41/80 41 04
 Fax: 0 83 41/80 44 23

Chemnitz

Bornaer Straße 205
 09114 Chemnitz
 Tel.: 03 71/4 74 18 96
 Fax: 03 71/4 74 18 95

Franken

Unterer Markt 9
 91217 Hersbruck
 Tel.: 0 91 51/81 48 64
 Fax: 0 91 51/81 62 45

Hagen

Im Langenstück 6
 58093 Hagen
 Tel.: 0 23 31/78 03 0
 Fax: 0 23 31/78 03 25

Kamen

Lünener Strasse 211
 59174 Kamen
 Tel.: 0 23 07/23 63 85
 Fax: 0 23 07/24 26 74

North

Schiefer Brink 8
 32699 Extertal
 Tel.: 0 57 54/9 20 77
 Fax: 0 57 54/9 20 78

Rhine-Main

Jägerstrasse 4
 64739 Höchst
 Tel.: 0 61 63/48 88
 Fax: 0 61 63/46 47

Branch office

China

Mayr Zhangjiagang
 Power Transmission Co., Ltd.
 Changxing Road No. 16,
 215600 Zhangjiagang
 Tel.: 05 12/58 91-75 65
 Fax: 05 12/58 91-75 66
 info@mayr-ptc.cn

Great Britain

Mayr Transmissions Ltd.
 Valley Road, Business Park
 Keighley, BD21 4LZ
 West Yorkshire
 Tel.: 0 15 35/66 39 00
 Fax: 0 15 35/66 32 61
 sales@mayr.co.uk

France

Mayr France S.A.
 Z.A.L. du Minopole
 BP 16
 62160 Bully-Les-Mines
 Tel.: 03.21.72.91.91
 Fax: 03.21.29.71.77
 contact@mayr.fr

Italy

Mayr Italia S.r.l.
 Viale Veneto, 3
 35020 Saonara (PD)
 Tel.: 0 49/8 79 10 20
 Fax: 0 49/8 79 10 22
 info@mayr-italia.it

Singapore

Mayr Transmission (S) PTE Ltd.
 No. 8 Boon Lay Way Unit 03-06,
 TradeHub 21
 Singapore 609964
 Tel.: 00 65/65 60 12 30
 Fax: 00 65/65 60 10 00
 info@mayr.com.sg

Switzerland

Mayr Kupplungen AG
 Tobelackerstrasse 11
 8212 Neuhausen am Rheinfall
 Tel.: 0 52/6 74 08 70
 Fax: 0 52/6 74 08 75
 info@mayr.ch

USA

Mayr Corporation
 4 North Street
 Waldwick
 NJ 07463
 Tel.: 2 01/4 45-72 10
 Fax: 2 01/4 45-80 19
 info@mayrcorp.com

Representatives

Australia

Transmission Australia Pty. Ltd.
 22 Corporate Ave,
 3178 Rowville, Victoria
 Australien
 Tel.: 0 39/7 55 44 44
 Fax: 0 39/7 55 44 11
 info@transaus.com.au

China

Mayr Shanghai
 Representative Office
 Room 506, No. 1007,
 Zhongshan South No. 2 Road
 200030 Shanghai, VR China
 Tel.: 0 21/64 57 39 52
 Fax: 0 21/64 57 56 21
 sales@mayr.com.cn

India

National Engineering
 Company (NENCO)
 J-225, M.I.D.C.
 Bhosari Pune 411026
 Tel.: 0 20/27 47 45 29
 Fax: 0 20/27 47 02 29
 nenco@nenco.org

Japan

MATSUI Corporation
 2-4-7 Azabudai
 Minato-ku
 Tokyo 106-8641
 Tel.: 03/35 86-41 41
 Fax: 03/32 24 24 10
 k.goto@matsui-corp.co.jp

South Africa

Torque Transfer
 Private Bag 9
 Elandsfontein 1406
 Tel.: 0 11/3 45 80 00
 Fax: 0 11/9 74 05 24
 torque@bearings.co.za

South Korea

Mayr Korea Co. Ltd.
 no. 302, 3rd floor, Kyoungnam
 Taxi Mutual Aid Association Hall,
 209-3, Myoung-Seo Dong,
 Changwon, Korea
 Tel.: 0 55/2 62-40 24
 Fax: 0 55/2 62-40 25
 info@mayrkorea.com

Taiwan

German Tech Auto Co., Ltd.
 No. 162, Hsin sheng Road,
 Taishan Hsiang,
 Taipei County 243, Taiwan R.O.C.
 Tel.: 02/29 03 09 39
 Fax: 02/29 03 06 36
 steve@zfgta.com.tw

Machine tools

Applications in China
 Dynamic Power Transmission Co., Ltd.
 Block 5th, No. 1699, Songze Road,
 Xujing Industrial Zone
 201702 Shanghai, China
 Tel.: 021/59883978
 Fax: 021/59883979
 dtcshanghai@online.sh.cn

07/07/2010 SC

More representatives:

Austria, Benelux States, Brazil, Canada, Czech Republic, Denmark, Finland, Greece, Hongkong, Hungary, Indonesia, Israel, Malaysia, New Zealand, Norway, Philippines, Poland, Romania, Russia, Slovakia, Slovenia, Spain, Sweden, Thailand, Turkey

You can find the complete address for the representative responsible for your area under www.mayr.de in the internet.

mayr®
 your reliable partner